

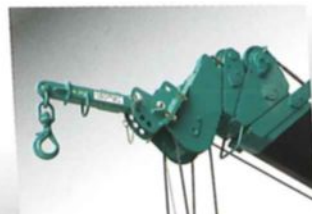
Mini Crawler Crane

MC285C-2



Slim Body Width : 750mm
Lifting Capacity : 2.82t x 1.4m
Programmable Moment Limiter
Crane/Outrigger Interlock System
Digital Feedback Remote Control
4 Fall/2 Fall Hook Block
Voice Warning System
Data Logger

Available with



Searcher Hook



Electric Motor



Moment Limiter

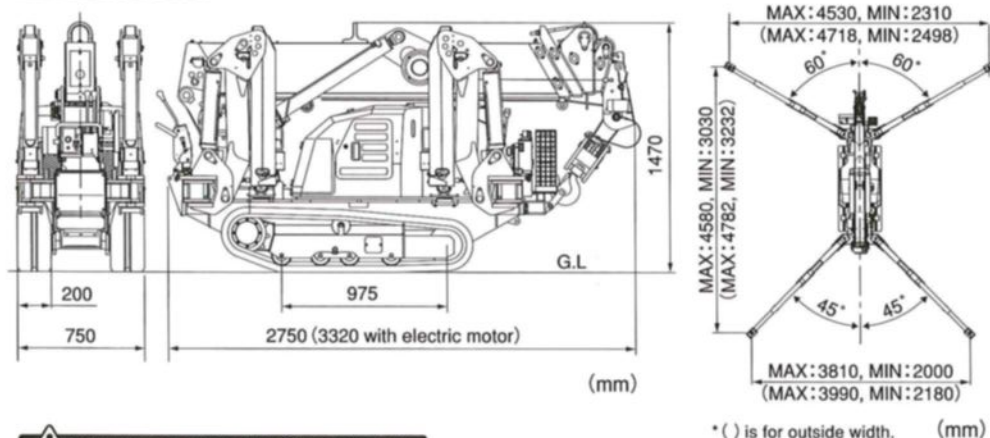


MAEDA Mini Crawler Crane MC285C-2

Specifications

Model		MC285CRM(E)-2
Crane capacity		2.821 × 1.4m
Max. working radius		8.205m × 0.15t
Max. lifting height (on the ground)		8.7m
Max. lifting height (underground)		-10.1m (4 falls)
Winch system	Hook speed	9.3m/min (4 layers, 4 falls)
	Hoist wire rope	IWRC 6 × Fi (29) 0/0, φ7 × 48.0m
Telescoping system	Type	Fully automatic 5-section pentagonal telescopic boom (3 to 5 section: Simultaneous telescoping)
	Boom length	2.535m ~ 8.575m
	Boom telescoping stroke / time	6.04m / 22sec
Boom hoist system	Hoist angle / time	0 to 80deg / 14.0sec
Swing system	swing angle / time	360 deg / 1.0rpm
Outrigger system	Type	1st stage with flexible stay damper, 2nd stage manual pullout, hydraulic cylinder direct acting type
	Max. extended width	(Lateral) 4,580 × (Front) 4,530 × (Rear) 3,810mm
Travel system	Type	Hydraulic motor driven, stepless speed changer
	Travel speed	0 ~ 2.2km/h
	Gradability	20deg
	Crawler ground length × width	975 × 200mm
	Ground pressure (MC285CRM-2)	49.3kpa [0.497kgf/cm ²]
	Ground pressure (MC285CRME-2)	53.3kpa [0.537kgf/cm ²]
Engine	Model	YANMAR 2TNV70-NMBA
	Displacement	0.569L [569cc]
	Rated output	7.4kw/2,500 min ⁻¹ [10.1ps/2,500 rpm]
	Starting method	Electric starting
	Fuel / Fuel tank capacity	Diesel / 12.0L
Motor (MC285CRME-2)	Motor type	Totally enclosed fan-cooled motor 5.5kw, 4P 380V
	Starting system	Inverter system (30Hz-60Hz)
Remote control system	Type	Cable remote controller
	Micro speed mode	Available
	Load display for transmitter	Available
	Outrigger operation	Available
	Voice	Available
Overall length × width × height (MC285CRM-2)		2,750mm × 750mm × 1,470mm
Overall length × width × height (MC285CRME-2)		3,320mm × 750mm × 1,470mm
Machine weight		1,960kg (2,120kg with electric motor)
Safety device		Overwind protection, Angle indicator, Hydraulic safety valve, Wire rope latch, Level, Machine body inclination alarm, EMO switch, Moment limiter, Working status lamp, Data logger, Outrigger setting lamp, Crane & Outrigger interlock device
Optional equipment		White rubber tracks, Single fall hook, Searcher hook

Dimensions



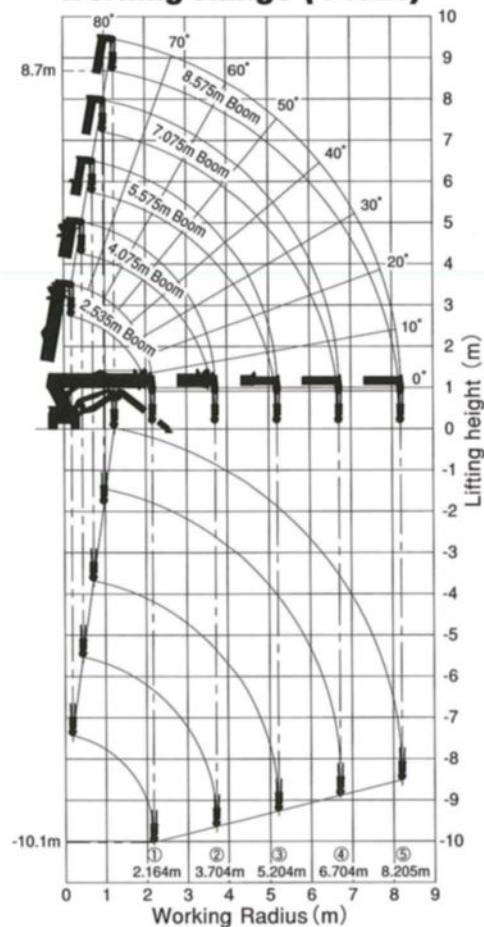
Rated Total Load Chart (4 falls)

Rated Total Load Chart with outrigger extended to maximum							
2.535m/4.075m Boom		5.575m Boom		7.075m Boom		8.575m Boom	
Working radius (m)	Rated total load (kg)	Working radius (m)	Rated total load (kg)	Working radius (m)	Rated total load (kg)	Working radius (m)	Rated total load (kg)
1.4 or less	2820	3.0 or less	1220	3.6 or less	820	4.0 or less	550
1.5	2520	3.5	970	4.0	740	4.5	400
2.0	1920	4.0	780	4.5	580	5.0	340
2.5	1570	4.5	630	5.0	480	5.5	300
3.0	1220	5.0	530	5.5	430	6.0	270
3.5	970	5.205	530	6.0	380	6.5	230
3.705	920			6.5	350	7.0	200
				6.705	330	7.5	180
						8.0	150
						8.205	150

Rated Total Load Chart with outrigger extended to other than maximum							
2.535m/4.075m Boom		5.575m Boom		7.075m Boom		8.575m Boom	
Working radius (m)	Rated total load (kg)	Working radius (m)	Rated total load (kg)	Working radius (m)	Rated total load (kg)	Working radius (m)	Rated total load (kg)
1.5 or less	1720	3.0 or less	510	3.6 or less	400	4.0 or less	330
2.0	1070	3.5	390	4.0	330	4.5	280
2.5	630	4.0	310	4.5	270	5.0	230
3.0	490	4.5	270	5.0	220	5.5	180
3.5	370	5.0	190	5.5	180	6.0	160
3.705	330	5.205	190	6.0	150	6.5	130
				6.5	120	7.0	100
				6.705	120	7.5	80
						8.0	70
						8.205	60

* The Rated Total Load Chart is based on actual working radius including boom deflection.
 * The weight of hook block (standard 4 fall / 2 fall-30kg) must be included as part of the load shown in the Rated Total Load Chart.
 * When using two falls hook or single fall hook, use the appropriate four falls Rated Total Load Chart shown above but with a maximum load of -1410kg for two falls and -710kg for Single fall.

Working Range (4 falls)



* The Working Range Chart does not take into account boom deflection under load.

⚠ Before use, please read the Operation Manual

Due to improvements, the specifications are subject to change without notice.



MAEDA SEISAKUSHO CO., LTD.

No.1095, Onbegawa, Shinonoi, Nagano-City, Nagano-Pref. 388-8522 Japan
 Head office TEL: 026-292-2228 FAX: 026-293-8499
 URL: <http://www.maesei.co.jp/> E-mail: maedasp@maesei.co.jp